

Item: CD-S-10-H17

Certificate: NON-HARMFULNESS

Packaging made out of glass incl. decoration/finish coating.

1. Heavy metal limiting values

Legal bases, enactments, ordinances and directives:

- European packaging directive 94/62/EC, article 11, dated 20/12/1994 in connection with the EC decision 2001/171/EC dated 19/02/2001 and 2006/340/EC dated 08/05/2006
- German Packaging Directive date 21/08/1998, last amended on 02/04/2008 by the 5th Regulation to amend the Packaging Regulation

We hereby assert and confirm that the glass containers delivered by us do not exceed the limiting values specified in the above regulations with regard to heavy metals contained in packaging.

With the products sold by us, the overall concentration of heavy metals lead, cadmium, mercury and chromium VI contained in them lies below the values required by the above statutory provisions.

MIRON glass (without decoration)

Pb	...	<	20.0 ppm
Cd	...	<	2.0 ppm
Hg	...	<	0.5 ppm
Cr (VI)	...	<	2.0 ppm

2. Food law related clearance certificate

The foodstuffs and feeding stuff law has fundamentally been reregulated in September 2005. Based on the law concerning the realignment of the foodstuffs and feeding stuff law, the Foodstuffs-, Consumer Goods and Feeding Stuff Law (**Lebensmittel- und Futtermittelgesetzbuch. LFGB**) has been enacted with effect as of 07/10/2005. The former Foodstuffs and Consumer Goods Law (Lebensmittel- und Bedarfsgegenständegesetz (LMBG)) hitherto in force is no longer valid therefore.

Legal bases, enactments, ordinances and directives:

- Food, Consumer Goods and feeding Stuff Law (LFGB), 22/08/2011 (BGBl.I No. 47, 08/10/2011 S. 1770)
 - § 30 LFGB; forbiddance for health protection
 - § 31, clause 1 LFGB; migration of substances into food

We hereby assert and confirm that no health-hazardous substances or smell-, taste- or visually affecting substances within the meaning of the legal regulations cited above migrate from the glass containers sold by us into the products filled in them.

3. Migration of substances into foodstuffs

Legal bases, enactments, ordinances and directives:

- DIN ISO 719, state 1989-12; water resistance of finely crushed glass at 98° C, test processes and classification
- EC regulation 1935/2004 dated 27/10/2004

The glass actually sold corresponds to a conventional soda-lime glass and is tested according to DIN ISO 719, which means that the glass containers sold do, on account of a consumption of no more than 0.85 ml hydrochloric acid (0.01 Mol/l) per gram of crushed glass, correspond to the **3rd hydrolytic class**.

We hereby assert and confirm in compliance with the provisions of the EC regulation 1935/2004 that our glass containers do not emit any substances in volumes that are qualified

- To endanger the human health or
- to cause an indefensible modification to the composition of the foodstuffs filled in them or
- to cause an impairment of the organoleptic characteristics of the foodstuffs.

4. Guide for the attestation of conformity

Legal bases, enactments, ordinances and directives:

- European packaging directive 94/62/EC, article 11, dated 20/11/1994 in connection with the EC decision 2001/171/EC dated 19/02/2001 and 2006/340/EC dated 08/05/2006
- European standard series DIN EN 13427 ff, state 2004-10

We hereby assert and confirm that, on the basis of the directives specified herein before, the packaging requirements, conformity obligations and procedures mentioned in the guide for the attestation of the conformity have been and are all followed and adhered to during the production and the control of our products.

5. Declaration concerning the REACH-Regulation

Legal bases, enactment, regulations and directives:

- Regulation (EC) No 1907/2006 of the European Parliament and the Council dated 18/12/2006 concerning the Registration, Evaluation, Authorisation and Restriction of Chemicals (REACH) as amended by the Commission Regulation (EC) No 987/2008 dated 08/10/2008 as regards Annexes IV and V of Regulation (EC) Nr 1907/2006

The products of the glass industry (e.c. container made of glass for packaging use) are articles in the meaning of the REACH-Regulation, because the function is mainly determined by form, design and surface and not by its chemical composition. Therefore no obligation exists to register these articles according to the REACH-Regulation.

On the supply chain side we have ensured that all raw materials which are used within the manufacturing process of the glass are compliant with the requirements of the REACH-Regulation, especially in case a pre-registration should be necessary.

6. Good Manufacturing Practice (GMP-Regulation)

We confirm that the goods that are produced are fabricated in conformity with the Cosmetic—GMP (Guidelines for the Cosmetical Good Manufacturing Practices) dated July 1992, amended in April 2006.

Transport packaging

1. Heavy metal limiting values

Legal bases, enactments, ordinances and directives:

- European packaging directive 94/62/EC, article 11, dated 20/12/1994 in connection with the EC decision 2001/171/EC dated 19/02/2001 and 2006/340/EC dated 08/05/2006
- German Packaging Directive date 21/08/1998, last amended on 02/04/2008 by the 5th Regulation to amend the Packaging Regulation

We hereby assert and confirm that the glass containers delivered by us do not exceed the limiting values specified in the above regulations with regard to heavy metals contained in packaging.

With the products sold by us, the overall concentration of heavy metals lead, cadmium, mercury and chromium VI contained in them lies below the values required by the above statutory provisions.

2. Food law related clearance certificate

The foodstuffs and feeding stuff law has fundamentally been reregulated in September 2005. Based on the law concerning the realignment of the foodstuffs and feeding stuff law, the Foodstuffs-, Consumer Goods and Feeding Stuff Law (**Lebensmittel- und Futtermittelgesetzbuch. LFGB**) has been enacted with effect as of 07/10/2005. The former Foodstuffs and Consumer Goods Law (Lebensmittel- und Bedarfsgegenständegesetz (LMBG)) hitherto in force is no longer valid therefore.

Legal bases, enactments, ordinances and directives:

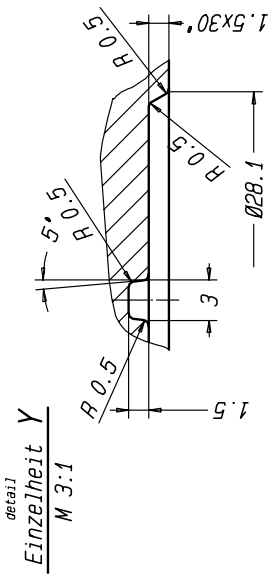
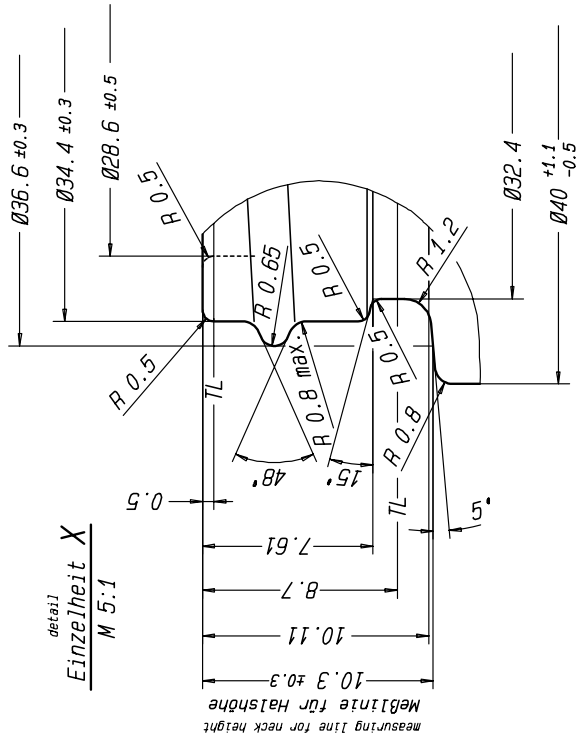
- Food, Consumer Goods and feeding Stuff Law (LFGB), 22/08/2011 (BGBl.I No. 47, 08/10/2011 S. 1770)
 - § 30 LFGB; forbiddance for health protection
 - § 31, clause 1 LFGB; migration of substances into food

We hereby assert and confirm that no health-hazardous substances or smell-, taste- or visually affecting substances within the meaning of the legal regulations cited above migrate from the glass containers sold by us into the products filled in them

Certificate: ANALYSIS for containers of moulded glass

We hereby confirm that material complies with the recommendations orientated to the GMP rules of the WHO for the production of containers made of moulded glass and that quality has been tested in accordance with the valid test standards according to technical specifications and technical drawings following the current Defect Evaluation List for containers made of moulded glass and that the requirements are met.

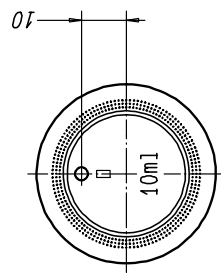
Technical drawing (CD-S-10)



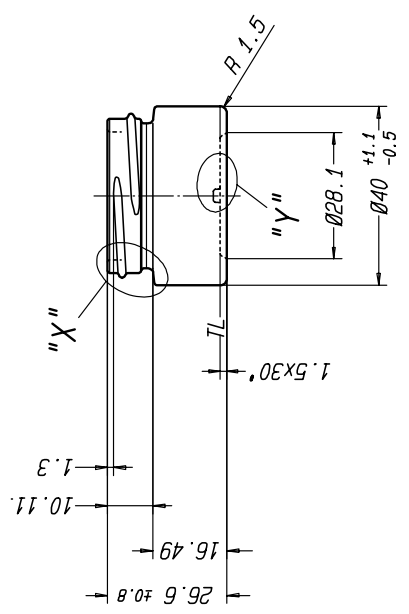
Standfläche granuliert
lfd. Stat. Nr. (3x0.5)
Schrift "10ml" (3.5x0.5)
Aufnahme für Druckpasser
($\emptyset 3 \times 1.5$ tief; 5° kon.)

Alle Passeranten 0.5mm
gerundet

bottom stippled
cavity no. (3x0.5)
inscription "10ml" (3.5x0.5)
retainer for decoration lug
($\emptyset 3 \times 1.5$ deep, 5° con.)
all decoration lug edges
rounded with $R 0.5$ mm



$h = 4 \text{ mm}$
1 full turn
depressed thread on mould
seam by $\emptyset 0.6$ mm
Gewinde über Nant im \emptyset
0.6 mm abgeflacht



Inhalt:
10ml
füllvoll
12±0.8ml
randvoll

Glasgewicht:
ca. 40g

Maßstab:
1:1
3:1/5:1