

## Item: FL-AP-250-B-M23

### Certificate: NON-HARMFULNESS

#### Migration of substances into foodstuffs

Legal bases, enactments, ordinances and directives:

- ISO 719:1985 (hydrolytic resistance of glass grains at 98°C)
- ISO 7086-2:2000
- EC regulation 1935/2004 dated 27/10/2004
- European packaging directive 94/62/EC, article 11, dated 20/12/1994 in connection with the EC decision 2001/171/EC dated 19/02/2001 and 2006/340/EC dated 08/05/2006

The glass actually sold corresponds to a conventional soda-lime glass and is tested according to DIN ISO 719:1985.

#### MIRON glass

Pb	...	<	20.0 ppm
Cd	...	<	2.0 ppm
Hg	...	<	0.5 ppm
Cr (VI)	...	<	2.0 ppm

#### Declaration concerning the REACH-Regulation

Legal bases, enactment, regulations and directives:

- Regulation (EC) No 1907/2006 of the European Parliament and the Council dated 18/12/2006 concerning the Registration, Evaluation, Authorisation and Restriction of Chemicals (REACH) as amended by the Commission Regulation (EC) No 987/2008 dated 08/10/2008 as regards Annexes IV and V of Regulation (EC) Nr 1907/2006

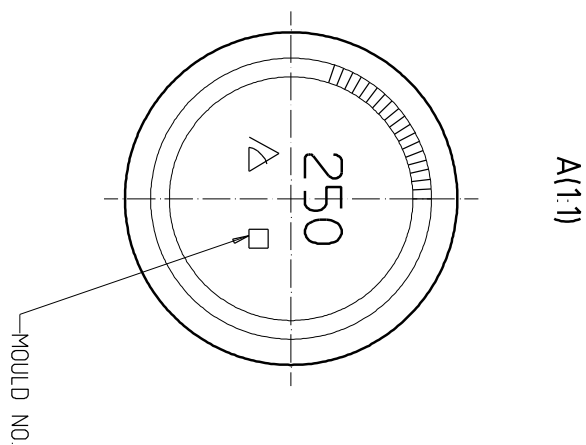
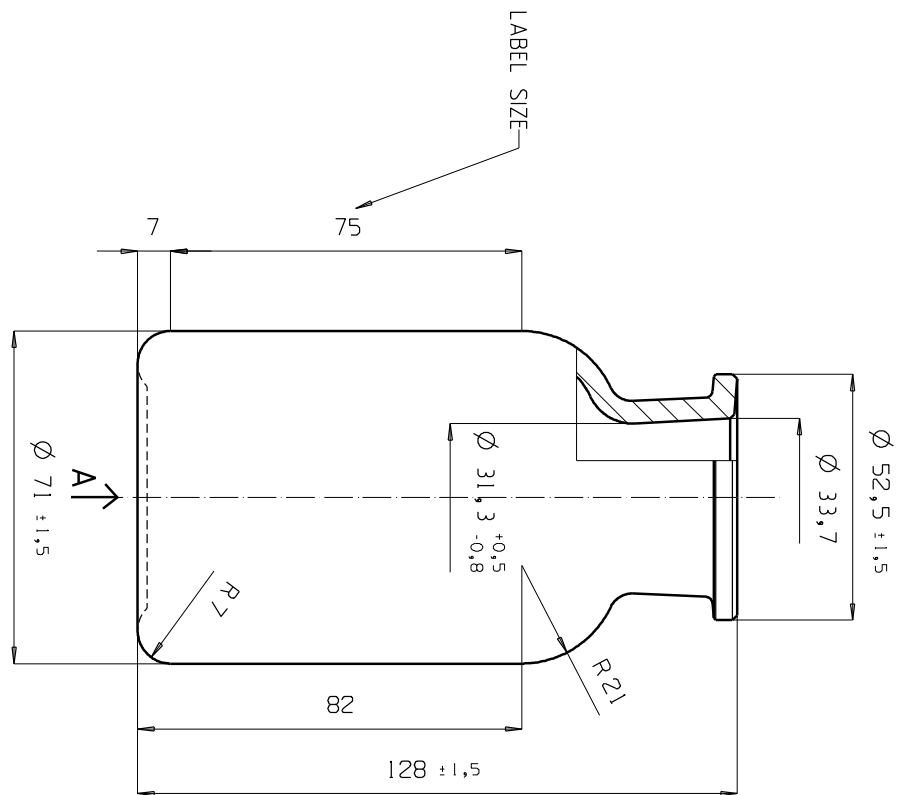
The products of the glass industry (e.c. container made of glass for packaging use) are articles in the meaning of the REACH-Regulation, because the function is mainly determined by form, design and surface and not by its chemical composition. Therefore no obligation exists to register these articles according to the REACH-Regulation.

On the supply chain side we have ensured that all raw materials which are used within the manufacturing process of the glass are compliant with the requirements of the REACH-Regulation, especially in case a pre-registration should be necessary.

### Certificate: ANALYSIS

Glass containers are manufactured in conformity with standards referred to certificate No. CN-06/2016, issued by IKATES, s.r.o., certificate authority no. 225

**Technical drawing (FL-AP-250)**



SIZE OF TAPER GROUND JOINT 34,5/24  
 SCALE 1:1  
 CAPACITY TO FILL POINT 250ml  
 CAPACITY BRIMFULL APPROX 220g  
 NECK FINISH  
 NECK REFNO