

## Item: FL-AP-2LT-B-M21

### Certificate: NON-HARMFULNESS

We hereby confirm that from the glass containers delivered by us no harmful particles regarding health, smell or taste according to § 31, no. 1 of law for food and utility objects (version from 8/7/93) do migrate into the product.

Our glass containers therefore satisfy all exigencies of the decree concerning utility object (version from 10/4/92) which due to this fact does not stipulate any migration limits for glass containers.

We furthermore confirm that all glass containers delivered by us correspond to hydrological class III according to DIN 719.

Opal glass corresponds to glass type III according to DAB 1996  
( = *Deutsches Arzneimittelbuch, i.e. German pharmaceutical book* ).

We confirm that flint glass containers delivered by us do not contain any fluorine and that the heavy metal content is less than 100 ppm.

#### MIRON glass

Pb	...	<	20.0 ppm
Cd	...	<	2.0 ppm
Hg	...	<	0.5 ppm
Cr (VI)	...	<	2.0 ppm

According to the Regulation of European Parliament and Council (EC) No 1934/2004 on materials and subjects intended to come into contact with food, European parliament and Council Directive (EC) No 94/62 on packaging and packaging waste, Commission Regulation (EC) No 2023/2006 on good manufacturing practice for materials and articles intended to come in contact with food and based on the closing Report No COV – 2010/4/06 elaborated in Glass institute Hradec Králové Ltd, Ssrupova 957, Hradec Králové, the Certification Body No. 3019, there is issued the

#### DECLARATION OF UNITY

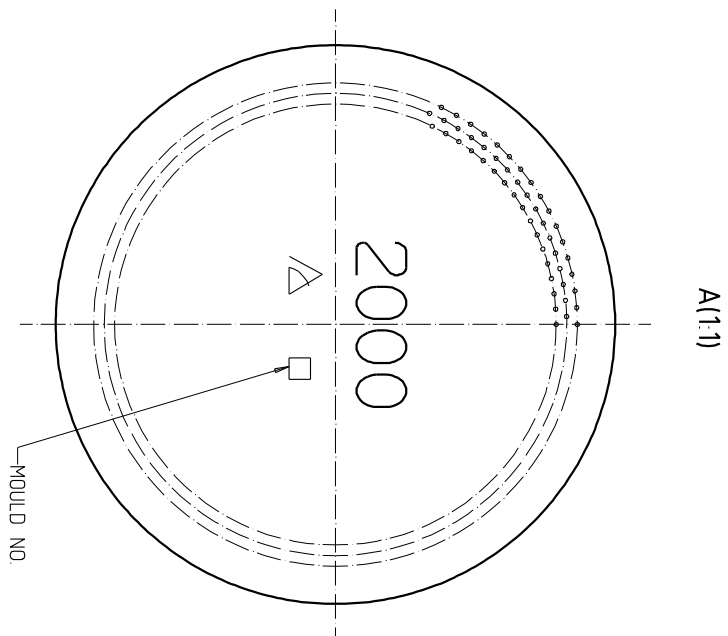
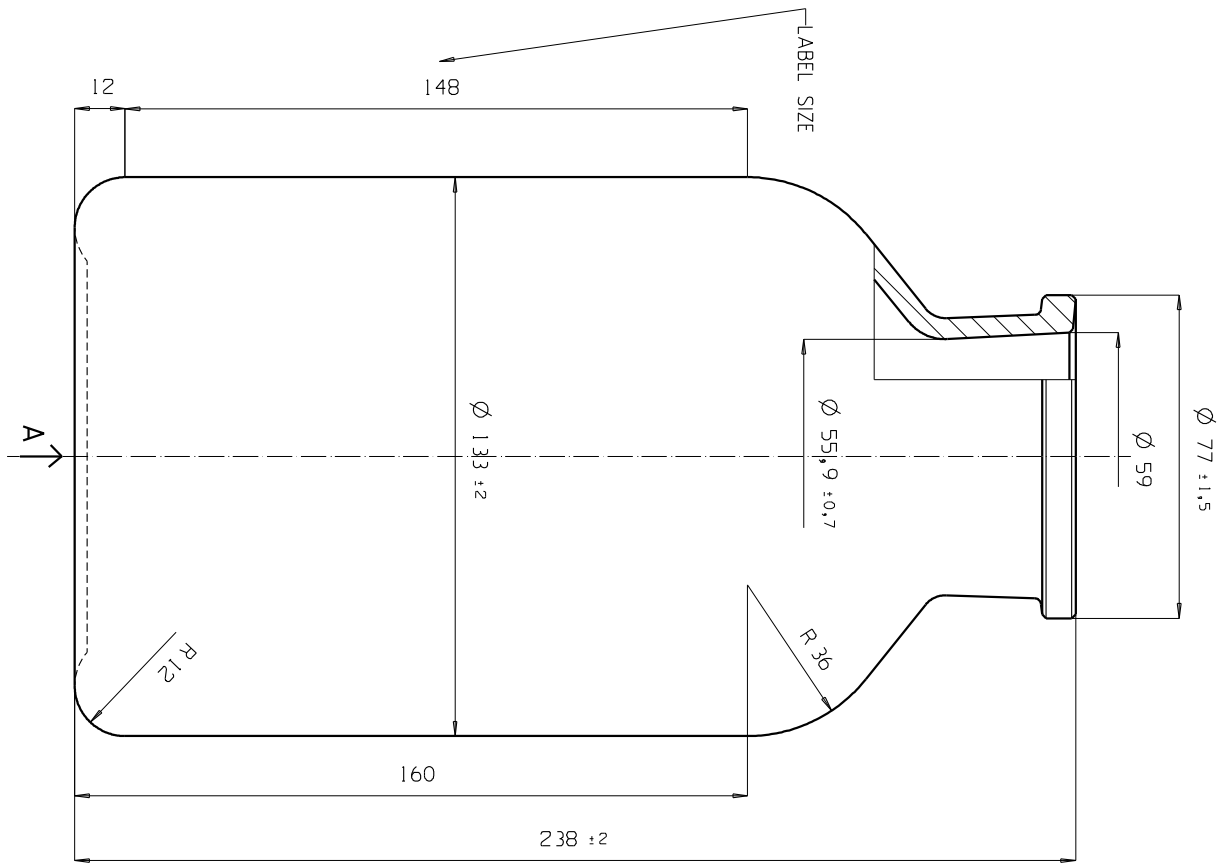
On glass products intended to come into contact with food

### Certificate: NON-HARMFULNESS

All glass containers sold by MIRON Violetglass BV have been manufactured in accordance with our standard procedures, and in accordance with the product specification.

They are also manufactured in accordance with certificate No. COV-2010-006, issued by Sklářský ústav Hradec Králové s.r.o., certificate authority No. 3019.

**Technical drawing (FL-AP-2LT)**



SIZE OF TAPER GROUND JOINT 60/31  
 SCALE 1:1  
 CAPACITY TO FILL POINT 2000ml  
 CAPACITY BRIMFULL APPROX 1600g  
 NECK FINISH  
 NECK REFNO